

British Woodworking Federation

Timber Stairs Installation Guide Toolbox Talk 5

- Notching, Trimming and Fixing the Newel Posts
- Trimming and Fixing the Handrail
- Landings : Assembly, Installation and Suitable Structural Support

April 2014

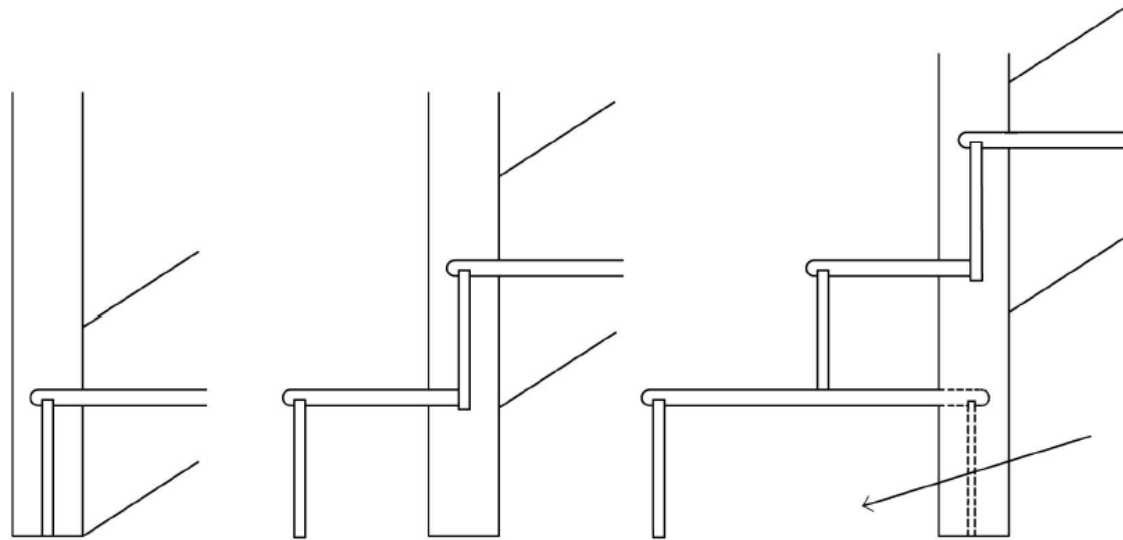


Assembly and Installation

The bottom newel – Different arrangements depending of design

The bottom newel may traverse more than one step.

FORMS OF BOTTOM TREADS (SIDE)



Noggin pieces are often required to support the bullnose tread

SIMPLE BOTTOM TREAD

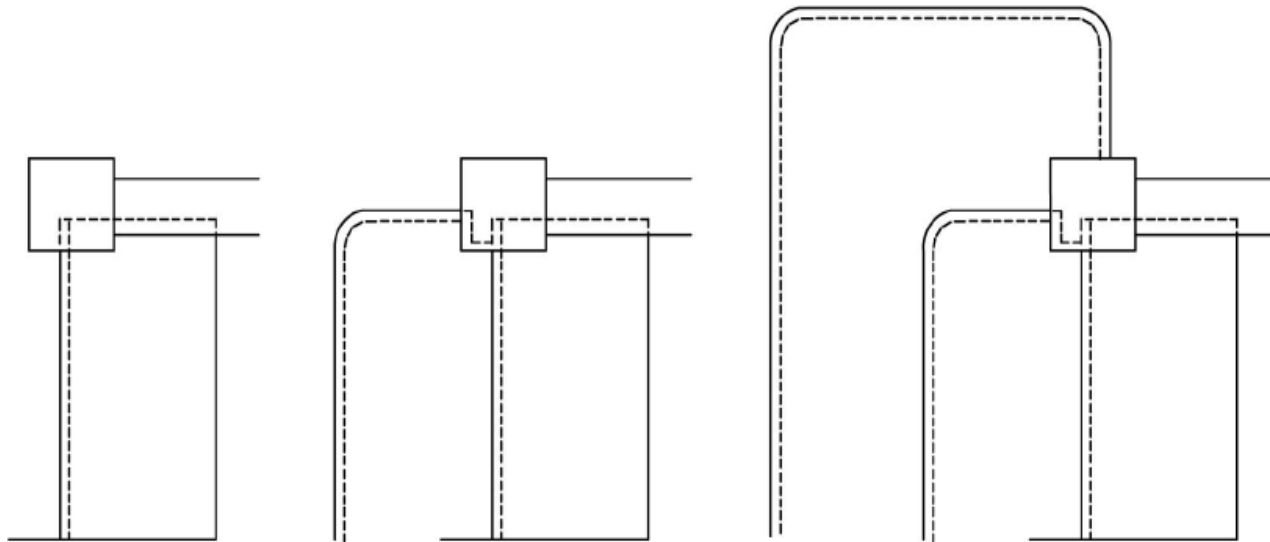
BULLNOSE TREAD

BULLNOSE AND CURTAIL

Assembly and Installation

The bottom newel

Different notching arrangement dependant on design.



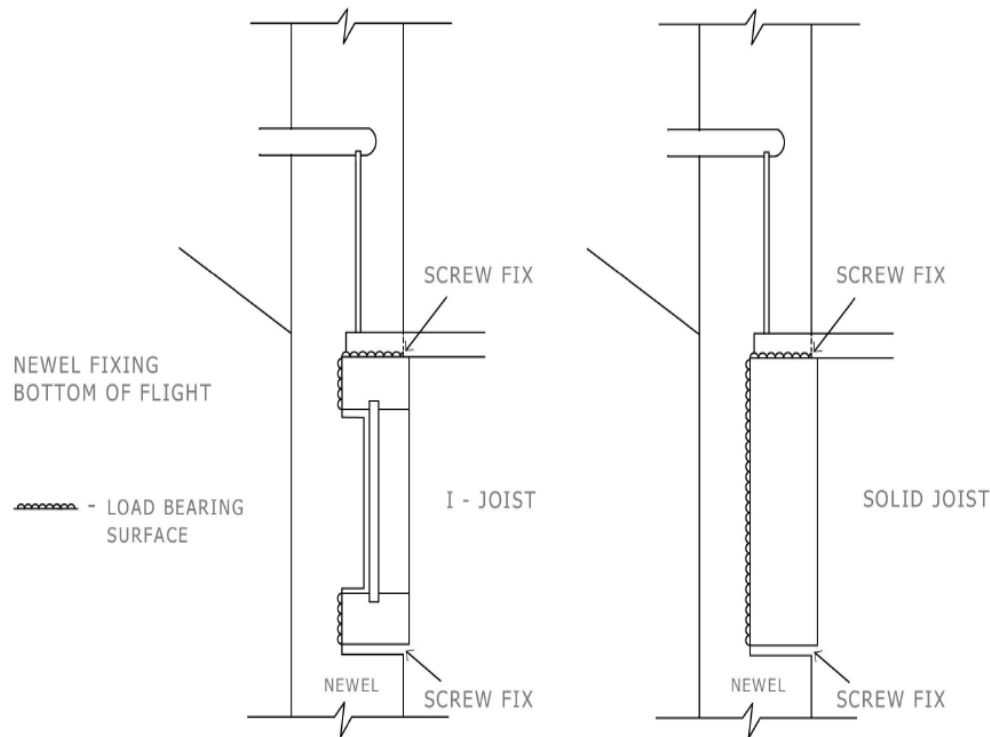
FORMS OF BOTTOM TREADS (PLAN)

Assembly and Installation

Straight Flight

Trimming and fixing the Newel at the Bottom of the Outer String

The bottom newel may require trimming to the correct rise. (floor to floor height.)



NOTE: It may be necessary to remove bottom newel to assist with access for fitting.

Fixings are to be structural screws, which are CE marked to EN 14592, 6 mm x 90 mm

Assembly and Installation

Half landings

Half landings must support the same load as the floors of the property.

The Joist and the Trimmer sizes are integral to the overall strength of the stair once installed.

Joist and Trimmer Sizes dependant on type of stair:

Type of Stair	Joists at walls and at 600 mm centres (maximum)	Trimmer between walls (mm)
Domestic	47 mm x 147 mm	2 @ 47 mm x 195 mm
Common	47 mm x 195 mm	2 @ 47 mm x 225 mm

Unless specified otherwise half landings should use the following minimum joist sizes up to a **maximum landing size 1.2 m x 2.6 m.**

Assembly and Installation

Quarter Landings

Quarter landings must support the same load as the floors of the property.

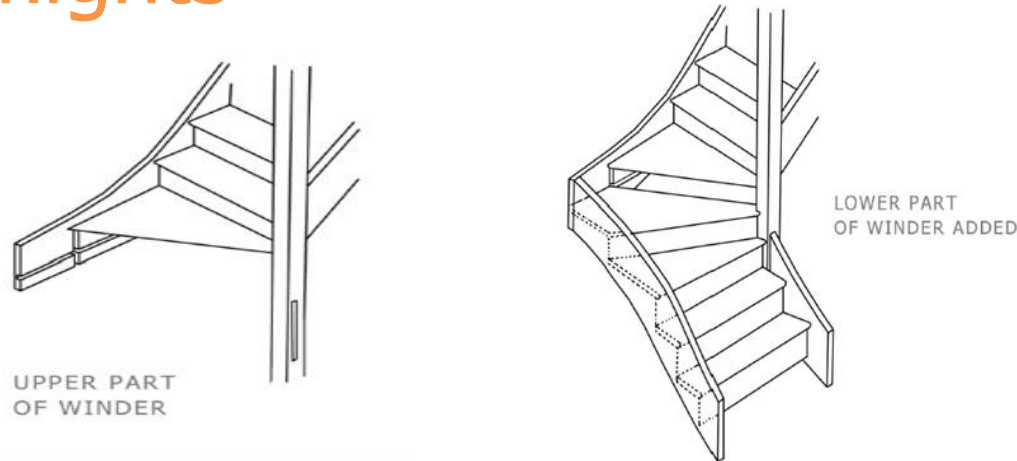
The Joist sizes are integral to the overall strength of the stair once installed.

Joist Sizes dependant on type of stair:

Type of Stair	Joists at walls and at 600 mm centres (maximum)	Trimmer between walls (mm)
Domestic	47 mm x 147 mm	2 @ 47 mm x 195 mm
Common	47 mm x 195 mm	2 @ 47 mm x 225 mm

Assembly and Installation

Winder flights



Winder flights are usually formed from 3 -4 treads radiating from a centre newel.

Winder flight at top of stair: Prepare, trim and fix over trimmer in same manner as the top of a straight flight.

The Outer strings must be fixed in an appropriate manner: If the stair is installed from the top down, the upper string will be extended and the lower string fixed to it.

NOTE: Sometimes it is not possible to assemble as described above. In this instance the winder flight should be assemble and lowered into location and fixed.